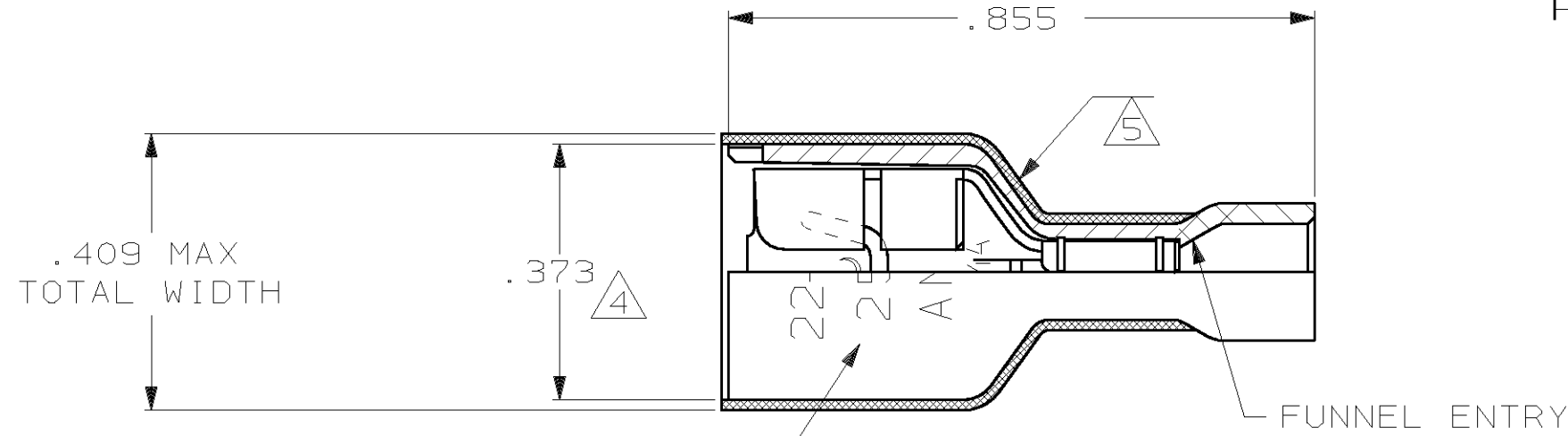


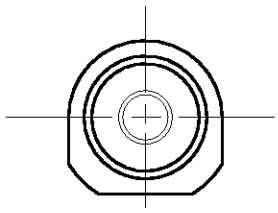
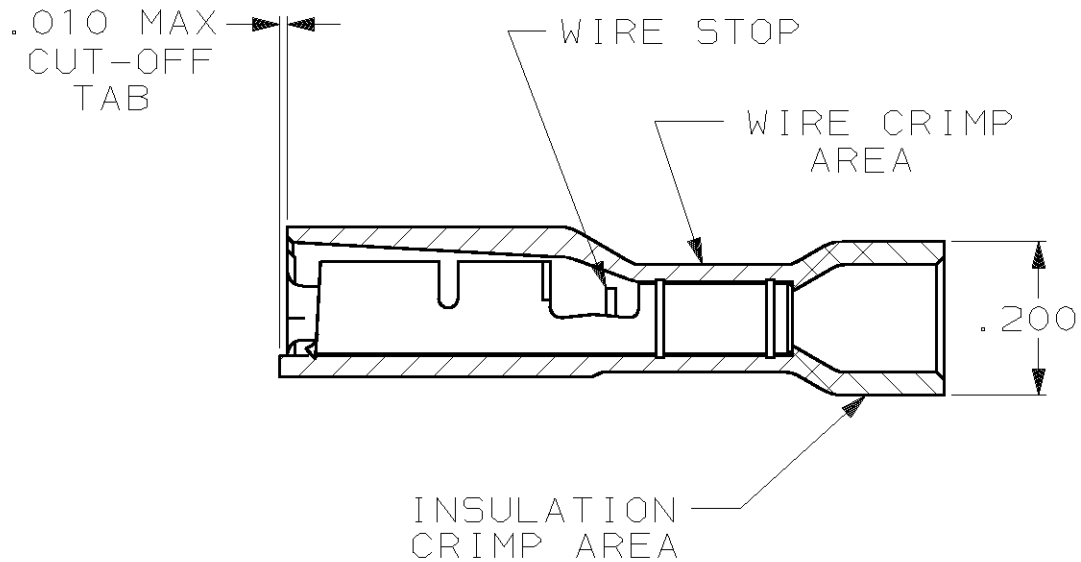
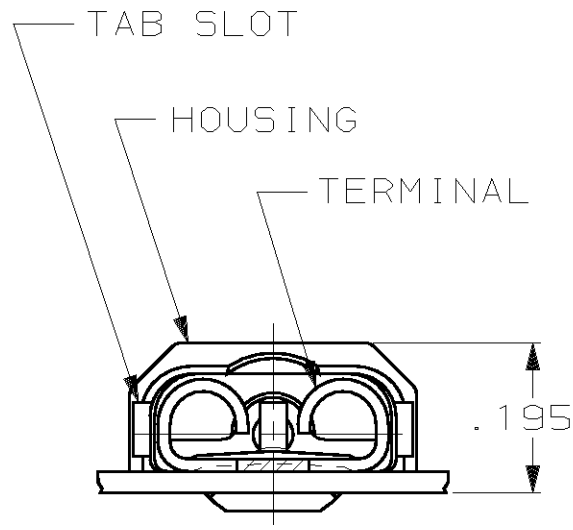
THIS DRAWING IS UNPUBLISHED. RELEASED FOR PUBLICATION, 19
 © COPYRIGHT 19 BY AMP INCORPORATED. ALL INTERNATIONAL RIGHTS RESERVED.

| | | | | | | | | |
|-----|------|---|---|-----------|-----|----------------------|--------|-------|
| LOC | DIST | P | F | REVISIONS | | | DATE | APPD |
| AF | 50 | | | ZONE | LTR | DESCRIPTION | | |
| | | | | | H | REV PER 0G1A-0148-99 | 4JUN99 | JR/JH |



- 1 MATES WITH .032±.001×.250 TAB
- 2 WIRE STRIP LENGTH .281
- 3 INSULATION SIZE .060-.135 DIA
- 4 DIMENSION DOES NOT INCLUDE TRIM BURR
- 5 .015 MAX CARRIER TRIM BURR PER SIDE IS ALLOWABLE IN THE SHADED AREA

WIRE AND RECEPTACLE SIZE IDENTIFICATION { 22-18, 250 AMP



| | | | |
|---|------------------------------|--|------------------|
| HOUSING: NYLON, COLOR-RED TRANSLUCENT | | 2-520407-2 | |
| RECEPTACLE: #3 HARD BRASS, TIN .000080 MIN | | PART NO | |
| MATERIAL & FINISH | | AMP INCORPORATED Harrisburg, Pa. 17105 | |
| DO NOT SCALE PRINT. UNLESS SPECIFIED DIMENSIONS IN INCHES TOLERANCES ON: 2 PLC DEC ± - 3 PLC DEC ± .015 ANGLES ± - | DR 10/27/88 P FORTNEY | NAME RECEPTACLE ASSY, ULTRA-FAST PLUS, LOOSE PIECE, .250 SERIES, 22-18 AWG | |
| | CHK 11/3/88 MS FEHER | | |
| MATERIAL SEE TABLE | APPD 11/4/88 K RANDOLPH | SIZE B | FSCM NO 00779 |
| | APPD 11/14/88 TL SHUTTER | DRAWING NO 520407 | |
| FINISH SEE TABLE | PRODUCT SPEC 108-2044 | SCALE 4:1 | SHEET 1 OF 1 |
| | APPLICATION SPEC 114-2123 | | |
| | WEIGHT - | | |